

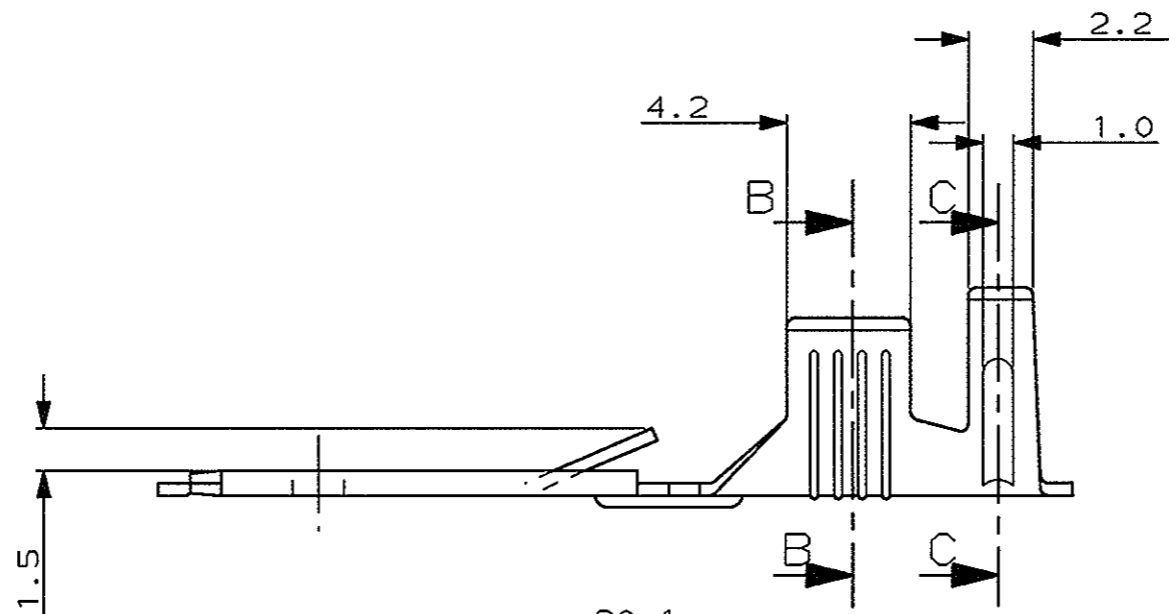
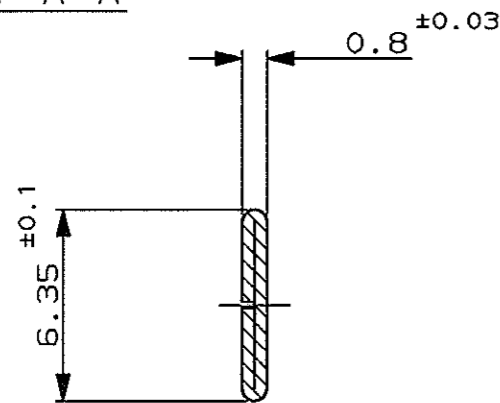
SCALA NON IMPEGNATIVA  
(DO NOT SCALE)  
DIMENSIONI IN mm  
(DIMENSIONS IN mm)

**METRIC**

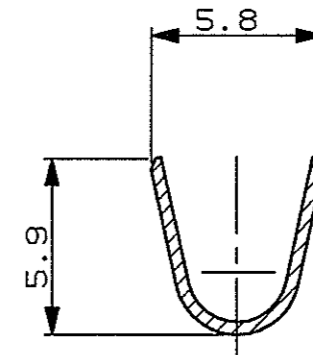
PROIEZIONE EUROPEA  
(EUROPEAN PROJECTION)

A  
B  
C  
D  
E

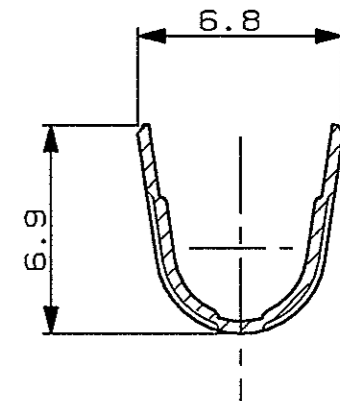
SEZ. A-A



SEZ. B-B

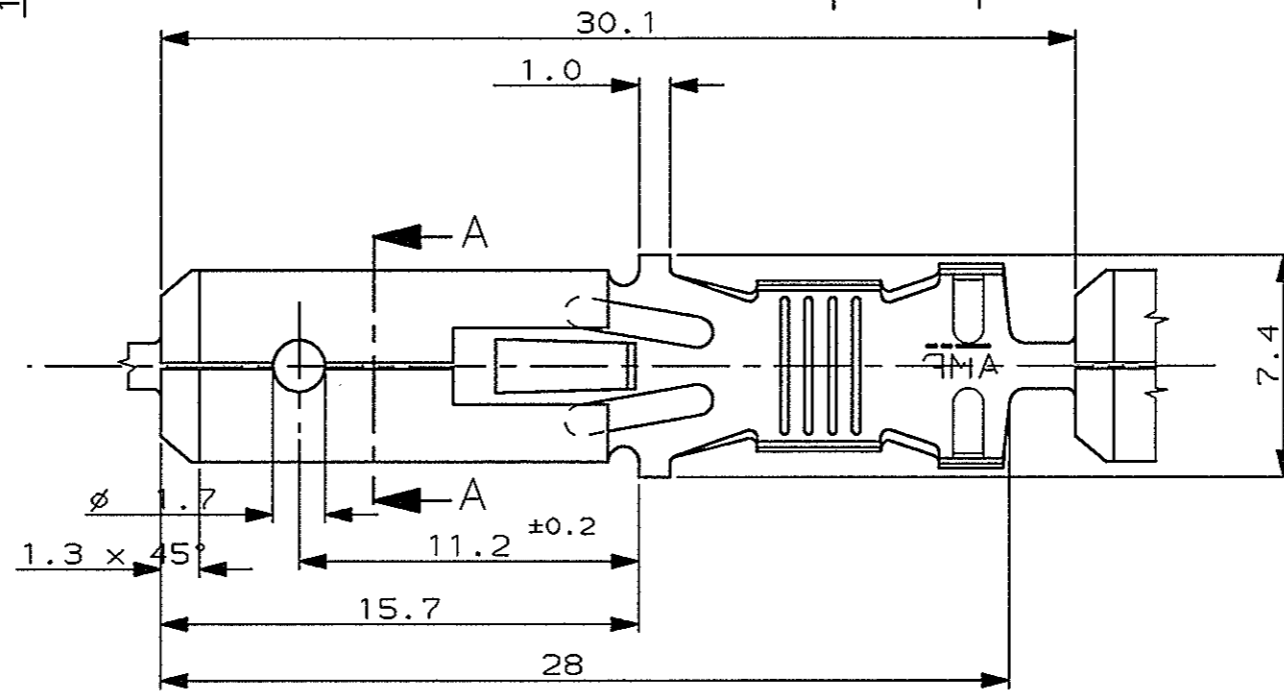


SEZ. C-C



⚠️ NON DISPONIBILE DALL'AMP ITALIA  
( NOT AVAILABLE FROM AMP ITALY )

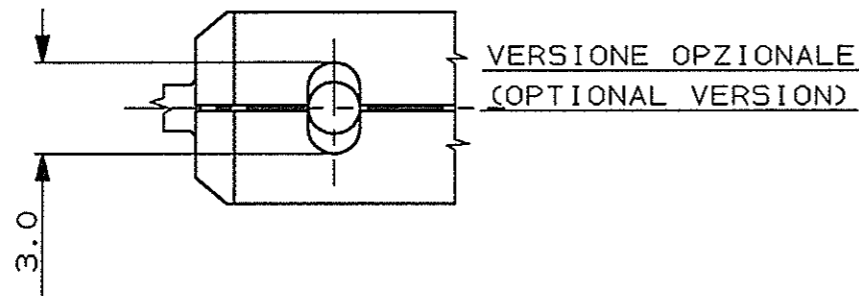
⚠️ BOBINATO SU BOBINA 12"  
CON CARTA INTERPOSTA TRA LE SPIRE  
( REELED ON 12" CARTON REEL  
WITH INTERLAYER PAPER STRIP )



SENSO DI USCITA  
DALLA BOBINA

OBSOLETE

NUDO (UNPLATED)	BRONZO FOSF. (PH. BR.)	⚠️ 280080-6
ARGENT. (SILVER PLTD)	BRONZO FOSF. (PH. BR.)	⚠️ 280080-5
STAGNATO (TIN PLTD)	BRONZO FOSF. (PH. BR.)	280080-4
NUDO (UNPLATED)	BRONZO FOSF. (PH. BR.)	280080-3
PRE-STAGNATO (PRE-TIN)	OTTONE (BRASS)	⚠️ 280080-2
NUDO (UNPLATED)	OTTONE (BRASS)	280080-1
FINITURA / COLORE (FINISH / COLOUR)	MATERIALE (MATERIAL)	NUMERO (PART NUMBER)



CUSTOMER DWG. FOR REFERENCE ONLY  
DISEGNO PER CLIENTE SOLO PER RIFERIMENTO

THIS DRAWING IS UNPUBLISHED  
RESERVED. AMP PRODUCTS MAY BE COVERED BY U.S. AND FOREIGN PATENT AND/OR PATENT PENDING

TOLLERANZE, SE NON DIVERSAMENTE SPECIFICATO (TOLERANCES, UNLESS OTHERWISE SPECIFIED)	DIAM. ISOLANTE (INS. DIA. RANGE) 3.4-5.2	RANGO FILO (WIRE RANGE) 4-6mm <sup>2</sup>	SCALA (SCALE) -
---	---	---	--------------------

± 0.3  
ANGOLI (ANGLES) ± 2°  
DIS. 28-04-97  
(DR.) A. FROLA

DESCRIZIONE (DESCRIPTION)  
FASTIN-ON TAB .250" SRS.

LOC.	SIZE	NUMERO (DWG NO)	MASTER DWG	REV.	FOGLIO (SHEET)
I	A3	C-280080	W/1	1	1

W1	ADDED NOTE 2 ON P/N 280080-4	H.Y.	25 MAR 2002
V1	REVISED ET00-0103-02	H.Y.	23 MAY 2002
V	CHANGED MAT. & PACK. FOR -2 ET00-0010-00	R.F.	
U	REVISED FOR ET00-0319-97	A.F./G.T.	
T1	REVISED FOR ET00-0198-97	A.F./G.T.	
A	RELEASED FOR ET00-0235-94	A.F.	
2	REVISED	A.F.	
1	REDRAWN	E.B.	
REV. (REV.ITALY)	REVISIONI (REVISION RECORD)	DIS. (DR)	DATA (DATE)

DISTRIBUZIONE (PRINT DIST.)